

# Schenker®

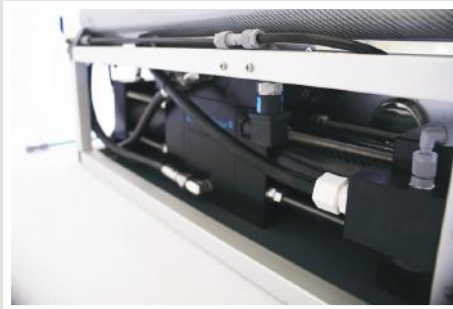
THE NEW GENERATION WATERMAKERS



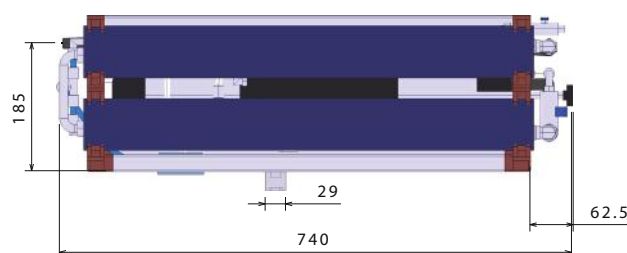
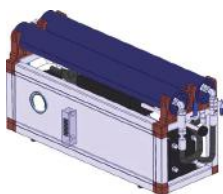
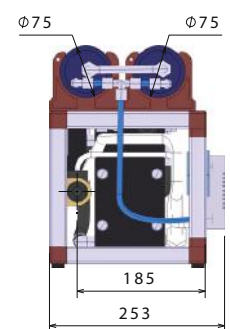
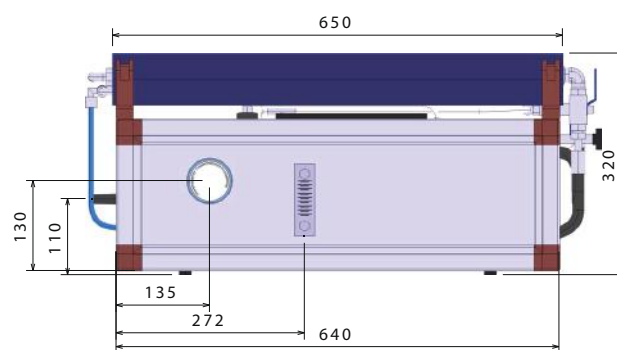
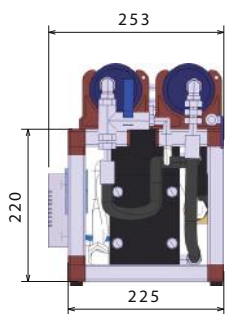
# MODULAR

## Model: Modular 35

- Rated capacity: 35 lit/h - Gal/h 9
- Power supply: 12 / 24 VDC
- Consumption: 100 watt
- Weight: 31 Kg
- Membranes: n°2 2,5" x 21"
- Available versions: Analogic/Digital



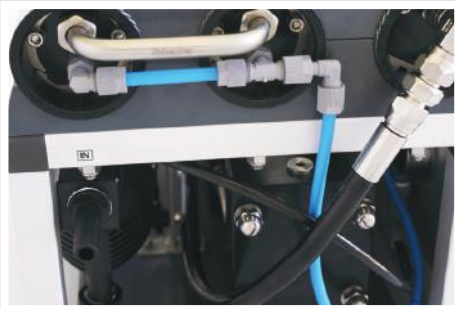
## Drawings



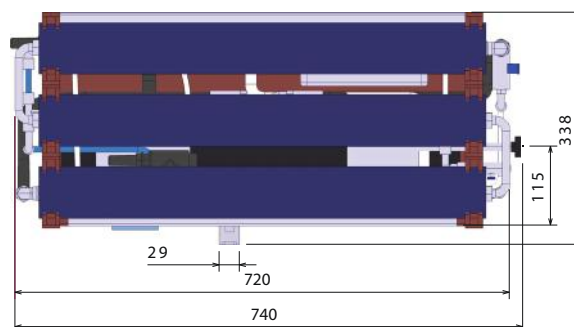
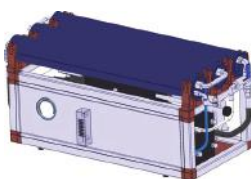
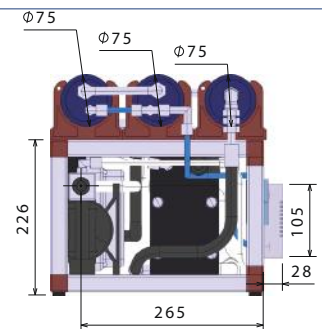
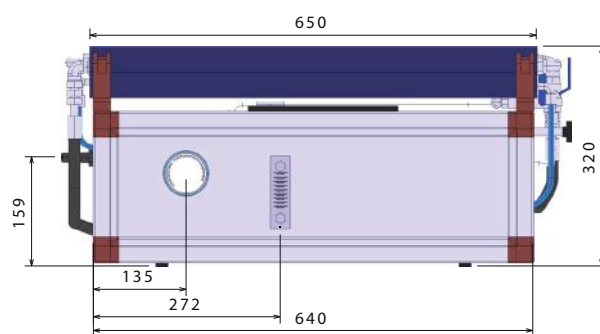
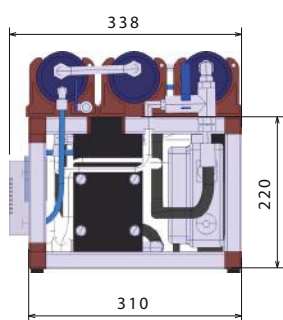
# MODULAR

## Model: Modular 60

- Rated capacity: 60 lit/h - Gal/h 15.8
- Power supply: 12 / 24 VDC or 230 VAC
- Consumption: 240 watt
- Weight: 38 Kg
- Membranes: n°3 2,5" x 21"
- Available versions: Analogic/Digital



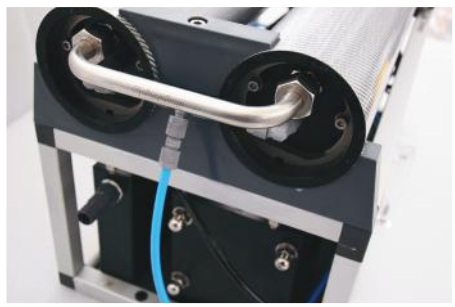
## Drawings



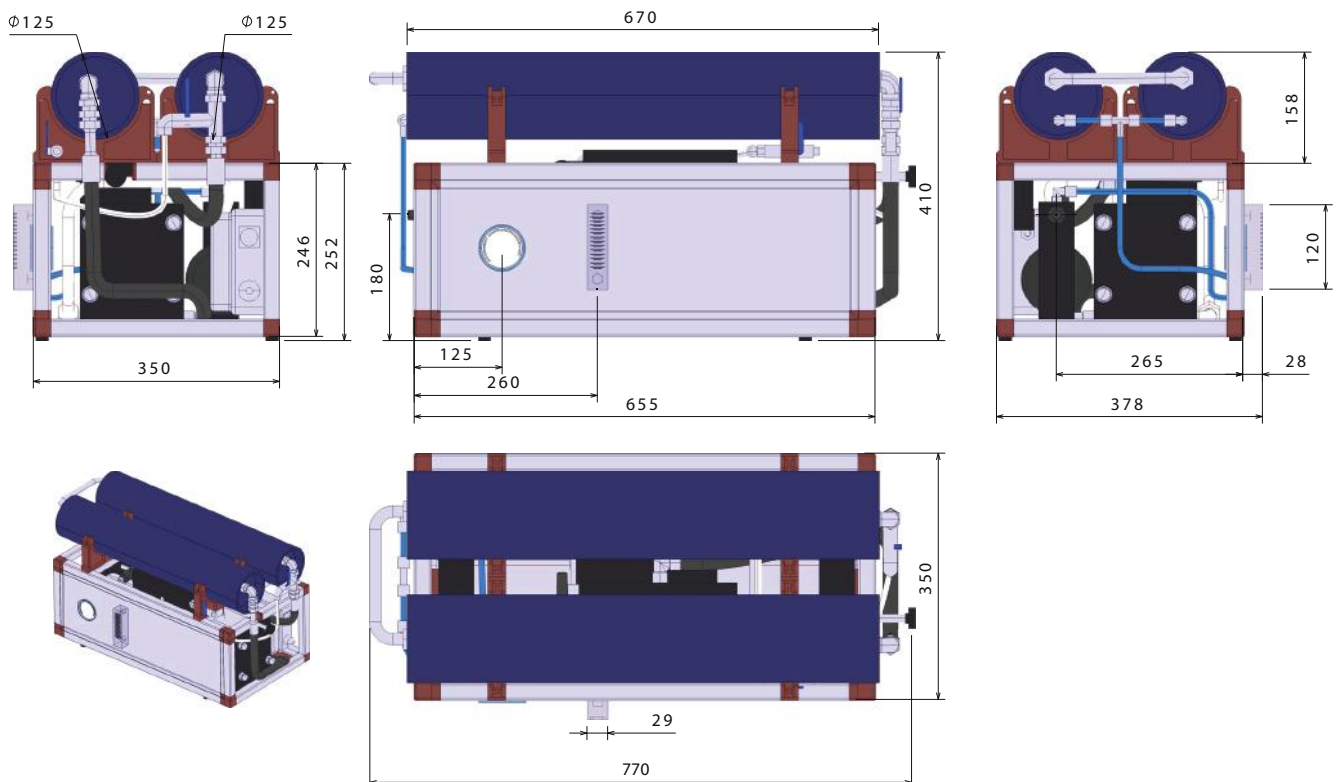
# MODULAR

## Model: Modular 100

- Rated capacity: 100 lit/h - Gal/h 26
- Power supply: 12 / 24 VDC or 230 VAC
- Consumption: 400 watt
- Weight: 58 Kg
- Membranes: n°2 4" x 21"
- Available versions: Analogic/Digital



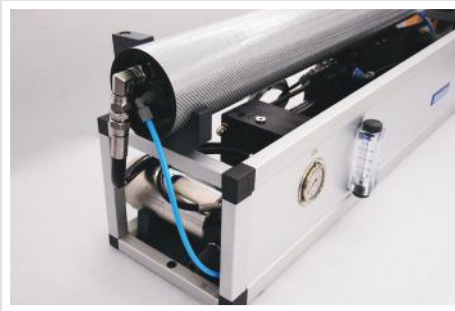
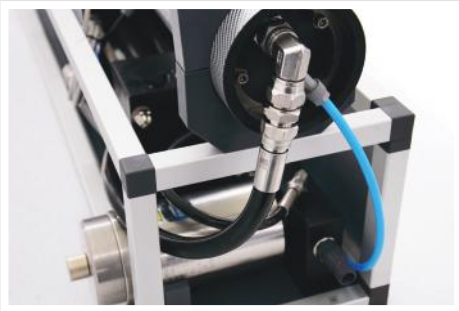
## Drawings



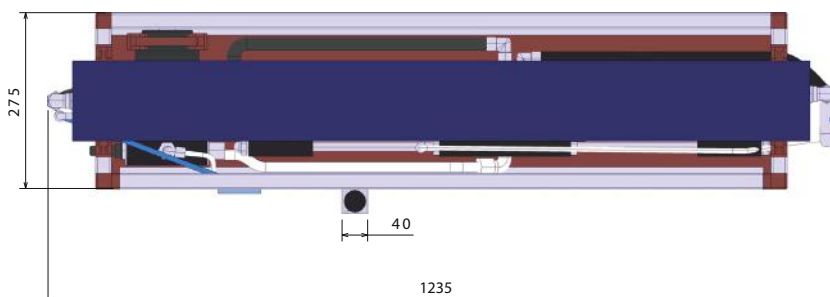
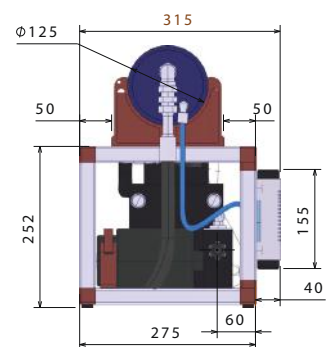
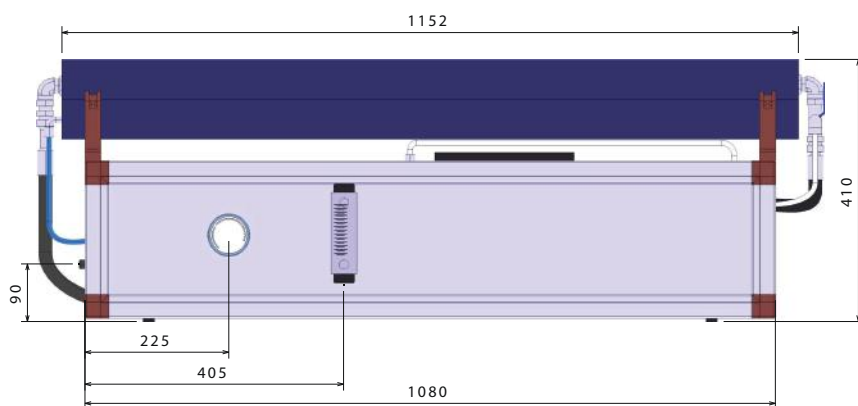
# MODULAR

## Model: Modular 150

- Rated capacity: 150 lit/h - Gal/h 39.6
- Power supply: 24 VDC or 230 VAC
- Consumption: 600 watt
- Weight: 69 Kg
- Membranes: n°1 4" x 40"
- Available versions: Analogic/Digital



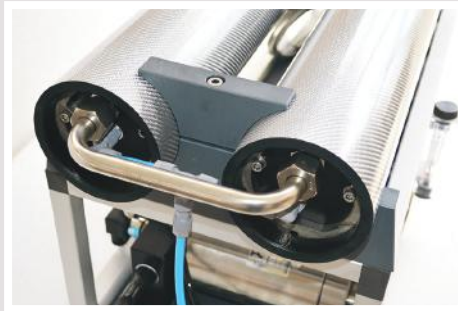
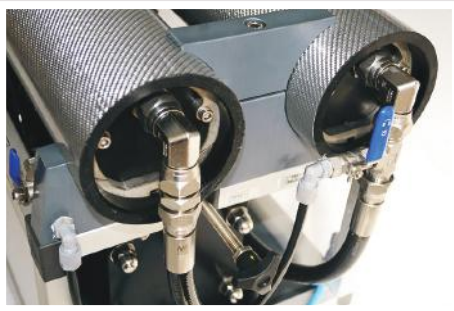
## Drawings



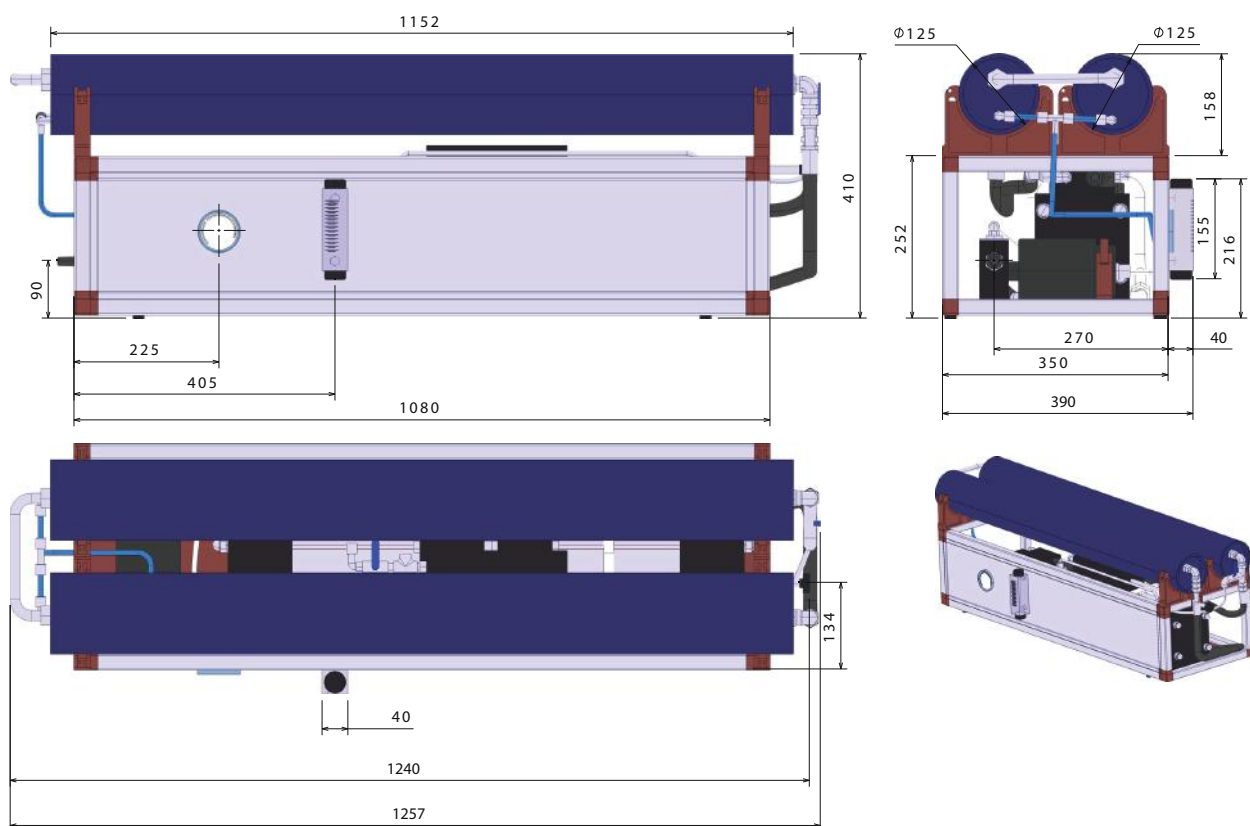
# MODULAR

## Model: Modular 230

- Rated capacity: 230 lit/h - Gal/h 60
- Power supply: 230 or 380 VAC
- Consumption: 1,2 kWatt
- Weight: 95 Kg
- Membranes: n°2 4" x 40"
- Available versions: Analogic/Digital



## Drawings

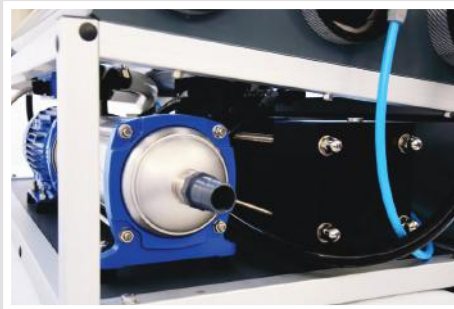


# MODULAR



## Model: Modular 300

- Rated capacity: 300 lit/h - Gal/h 79
- Power supply: 230 or 380 VAC
- Consumption: 2 kWatt
- Weight: 145 Kg
- Membranes: n°3 4" x 40"
- Available versions: Analogic/Digital



## Drawings

